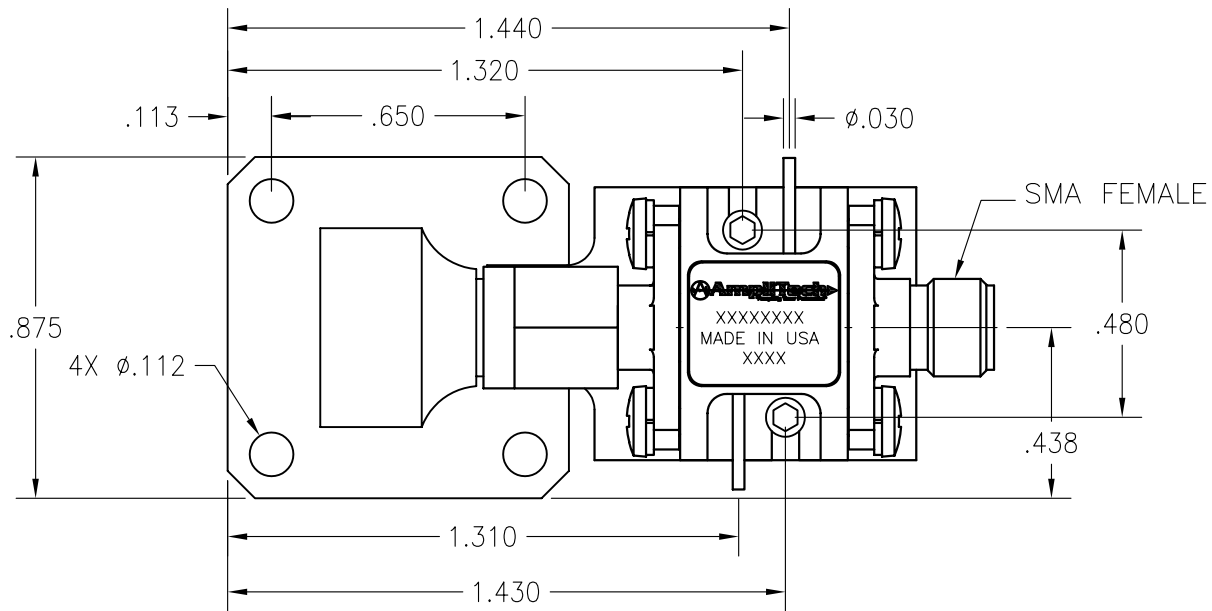
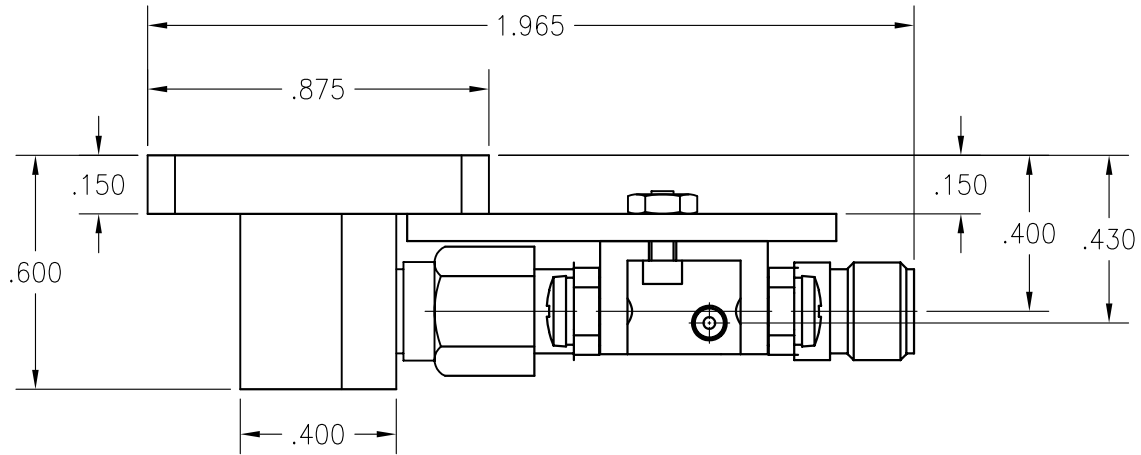


THIS DRAWING CONTAINS CONFIDENTIAL PROPRIETARY INFORMATION OF AMPLITECH, INC. NO PORTION OF THIS INFORMATION IS TO BE USED OR REPRODUCED WITHOUT WRITTEN PERMISSION.

REVISIONS			
REV	DESCRIPTION	DATE	APPROVED



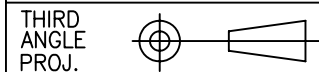
UNLESS OTHERWISE SPECIFIED
DIMENSIONS ARE IN INCHES
REMOVE BURRS AND OR FLASH
INTERPRET DWG. PER ANSI Y14.5
TOLERANCES SURFACE
XX XXX FRAC. ANGULAR FINISH
✓



60, Davids Drive
Hauppauge, New York 11788

TITLE

OUTLINE DRAWING
18-26.5 GHZ WR42-D2 LNA



MATERIAL:

FINISH:

	SIG.	DATE	SIZE	CODE IDENT NO.	DRAWING NO.	REVISION
DRAWN			A	3CS43	APTW2WR42I	A
CHECKED			SCALE 2:1		SHEET 1 OF 1	
ENGINEER						