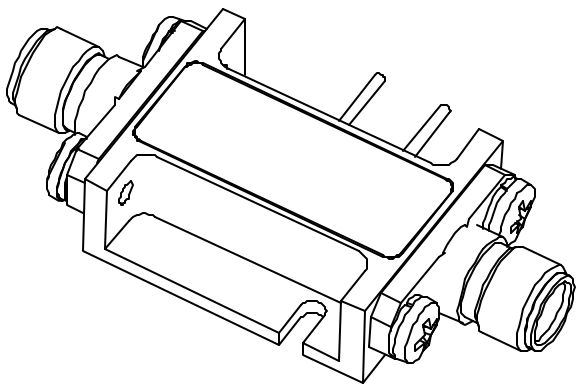
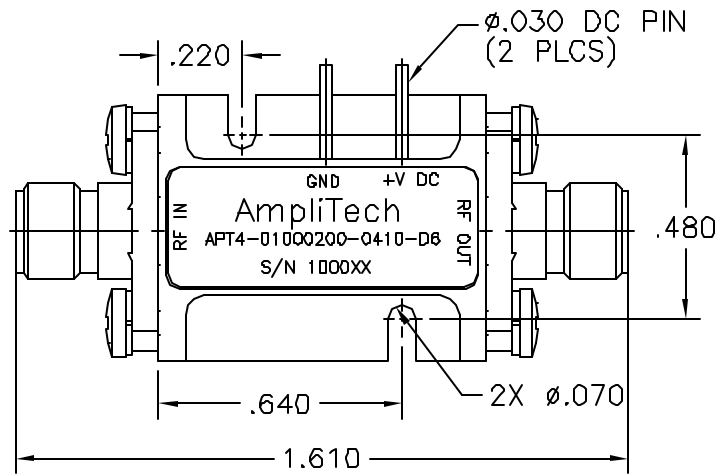
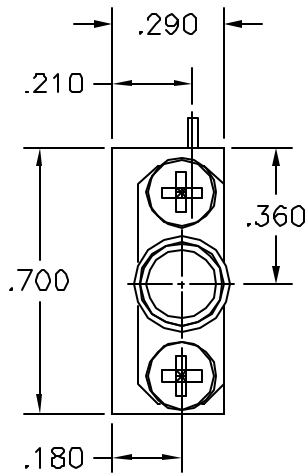
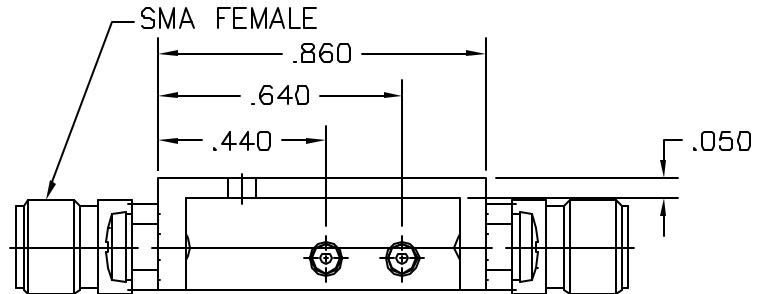


THIS DRAWING CONTAINS CONFIDENTIAL PROPRIETARY INFORMATION OF AMPLITECH, INC. NO PORTION OF THIS INFORMATION IS TO BE USED OR REPRODUCED WITHOUT WRITTEN PERMISSION.

REVISIONS			
REV	DESCRIPTION	DATE	APPROVED



UNLESS OTHERWISE SPECIFIED DIMENSIONS ARE IN INCHES REMOVE BURRS AND OR FLASH INTERPRET DWG. PER ANSI Y14.5			
XX	XXX	TOLERANCES FRAC. ANGULAR	SURFACE FINISH ✓
THIRD ANGLE PROJ.			
MATERIAL:			
FINISH:			



60, Davids Drive
Hauppauge, New York 11788

TITLE							
D6 OUTLINE DRAWING "D" SERIES AMPLIFIERS							
	SIG.	DATE	SIZE	CODE IDENT NO.	DRAWING NO.	REVISION	
DRAWN	A.T.	1/20/04	A	3CS43	ODD6	C	
CHECKED							
ENGINEER							
SCALE 2:1					SHEET 1 OF 1		