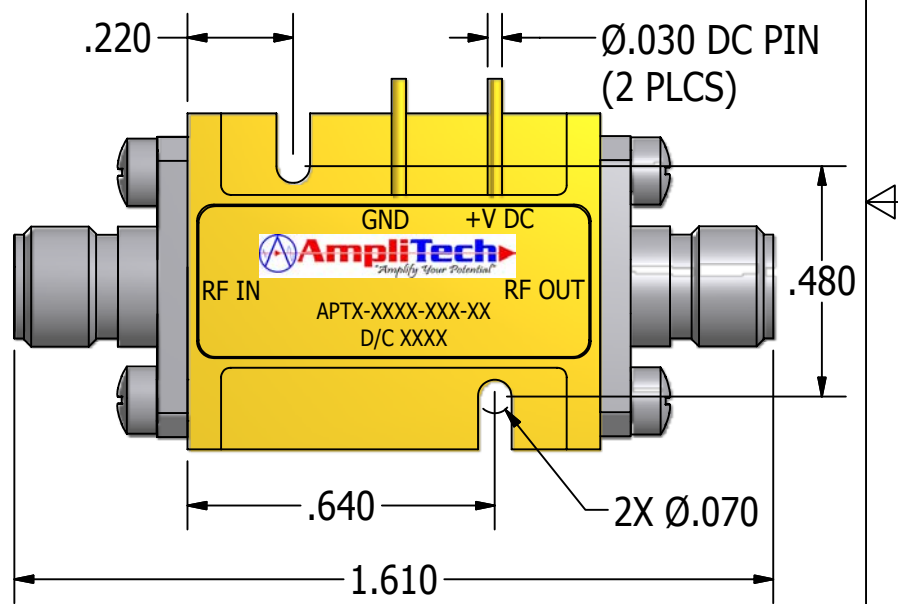
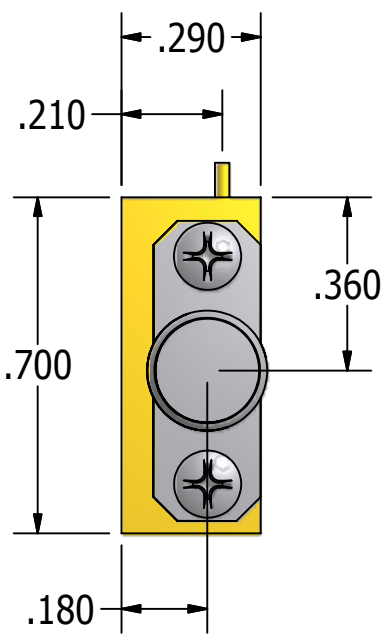
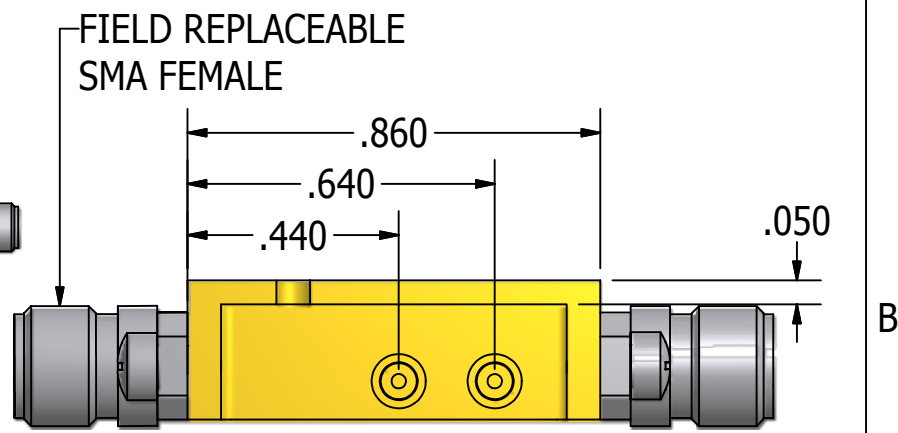
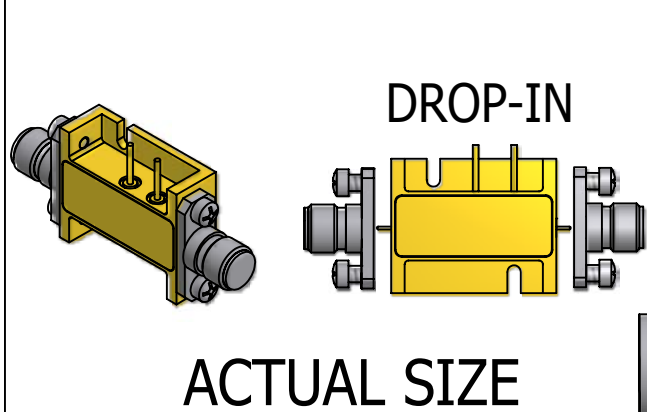


PROPRIETARY & CONFIDENTIAL PROPERTY of AMPLITECH, Inc. NO PORTION of this DRAWING/INFORMATION is to be USED or REPRODUCED WITHOUT WRITTEN PERMISSION.

REVISION HISTORY			
REV	DESCRIPTION	DATE	APPROVED



ENGINEER	F. Maqbool	10/14/08
QA/checked	Amanda Tappin	10/14/08
MFG/checked	Richard Peterson	10/14/08
GEN. MANAGER/ approved	Richard Peterson	10/14/08
DRAWN	Shushanna Cherian	10/14/08

TITLE

D6 OUTLINE DRAWING "D" SERIES AMPLIFIERS

Unless otherwise specified, dimensions are INCHES	View: overview
---	----------------

SIZE	CODE IDENT NO	DWG NO	REV
B	3CS43	APT6-001	E
SCALE	3.5:1		SHEET 1 OF 1